

Springettsbury Township Curb & Sidewalk Specifications

SECTION 02525 CEMENT CONCRETE CURB & SIDEWALK

1.04 JOB CONDITIONS

B. Protection of adjacent areas:

1. Restore existing surfaces outside the limits of the work that have been damaged by the Contractor's operations to their original or better condition.

PART 2 - PRODUCTS

2.01 CONCRETE

- C. For replacement of curb and sidewalk at existing active driveways, use air-entrained, PA DOT Class HES (High Early Strength) 3500 psi

PART 3 - EXECUTION

3.01 CURB CONSTRUCTION (As set forth in PennDOT RC-64M)

- A. Excavate to required depth, remove and dispose of material, and compact the subgrade material to a firm, even surface.
- B. Exposed edges of existing work shall be smooth and square.
- C. Forms shall be placed as appropriate to the type of curbing on 2 sides (front and back).
- D. Forms shall be securely braced to limit deflection during placement of concrete.
- E. Provide openings through curb for drainage pipes. Install one, 2'-0" long, #4 reinforcing bar in the middle of curb centered above the pipe with a minimum of one inch of concrete cover.
- F. Concrete shall be placed in accordance with Section 03000, Part 3.06.C.
- G. Variation of more than 1/8" from the established line and grade shall be cause for rejection of that portion of the work.
- H. Form or saw contraction joints 3/16" wide and 2" deep at 10-foot maximum intervals on 2 sides (front and top). Saw as soon as possible after the concrete has set sufficiently to preclude raveling during the sawing and before any shrinkage cracking occurs in the concrete, but in no case later than 24 hours following placement of the material.
- I. Provide 1/2" full size expansion joints at 60-foot intervals, at the end of each pour, and at the beginning and end of all radii. 1/2" full size expansion joint material shall also separate curb from adjacent sidewalks, poles, hydrants, walls and other permanent structures.
- J. Unless otherwise approved by the Township Engineer, the last three feet of curb shall be tapered to a 1-1/2" reveal with expansion joint at the beginning of taper.
- K. Finish top surface with magnesium or wood floats. Provide depressions for drainage, driveways, and accessible ramps as directed by the Township Engineer.
- L. Tool all exposed edges to the specified radius.

- M. Do not remove forms until concrete has set.
- N. Begin proper curing in accordance with Section 03000, Part 3.10, immediately after form removal.
- O. Correct minor irregularities with a carborundum stone or mortar comprised of two parts fine aggregate to one part cement.
- P. Install 2-#5 rebar in curb as shown on drawings

3.02 SIDEWALK CONSTRUCTION (As set forth in PennDOT RC-67M)

- A. Cross reference Section 03000-5, Part 3.02 Formwork for acceptable form materials and methods of use.
- B. Excavate to required depth, remove and dispose of material, and compact the subgrade material to a firm, even surface.
- C. Exposed edges of existing work shall be smooth and square.
- D. Construct accessible ramps where directed by the Township Engineer.
 - 1. Ramp runs must be held to a maximum 1:12 (1" in 12") slope in the direction of travel with a maximum cross slope of 2% (1/4" per foot) and terminate at a level landing.
 - 2. Pedestrian areas requiring a change in direction of travel must be level and of an appropriate size to comply with ADA and PENNDOT standards.
- E. Spread aggregate and compact to the thickness shown on the Standard Details.
- F. Concrete shall be placed in accordance with Section 03000, Part 3.06.C.
- G. Score contraction joints at 5-foot intervals to sufficient depth to insure cracking at the joint.
- H. Provide 1/4" expansion joint at 20-foot intervals and at the end of each pour. Provide 1/2" expansion joint material to separate adjacent curb, poles, hydrants, walls, and other permanent structures.
 - 1. Tool a light radius at expansion materials to prevent flaking. Feathering over expansion joint is not acceptable.
 - 2. Expansion material must extend the full thickness and plan dimension of the concrete placement.
- I. Apply light broom finish as specified in Section 03000, Part 3.09.G.4.
- J. Provide depressions for driveways, downspouts, and drainage as directed by the Township Engineer.
- K. Begin proper curing in accordance with Section 03000, Part 3.10, immediately following form removal.

3.03 BACKFILLING AND RESTORATION

- A. Temporary backfill at curbs shall consist of select granular material per Section 02221a, Part 2.01.A, front and back, to within 8" of top of curb.
- B. Restore adjacent areas as indicated in the Backfill and Surface Restoration Requirements Table.

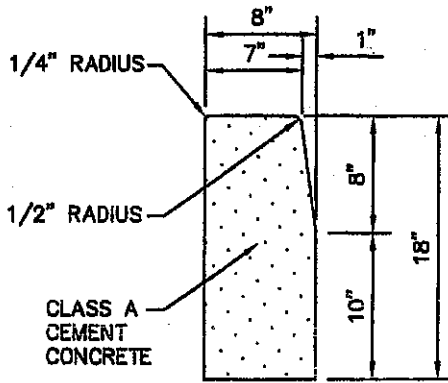
Joins in asphalt and between asphalt & curb shall be sealed with Bituminous Asphalt Sealer.

Please contact Springettsbury Township @ 717-757-7856 X425 to schedule inspections.

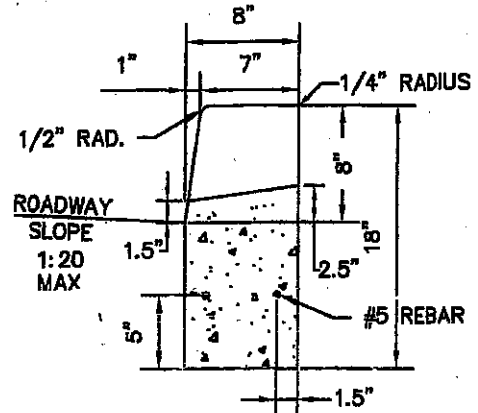
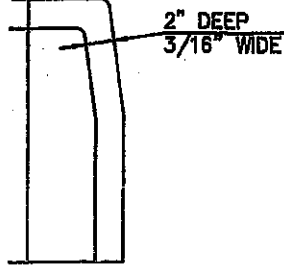
1st inspection after forms set, rebar & expansion placed and before concrete is poured.

2nd inspection after all work complete including asphalt joint sealing.

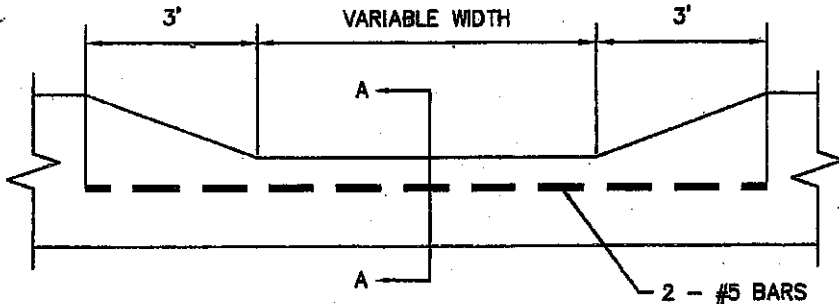
Copyright 2008 First Capital Engineering Inc. P:\Jobs\173-389\173-389 DT-7.dwg Layout: 173-389 DT-7 2/15/08 at 11:35am



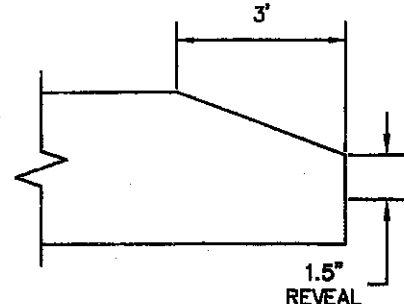
TYPICAL CROSS SECTION CONSTRUCTION JOINT
PADOT STANDARD RC-64M



SECTION A-A



DEPRESSED CURBS FOR DRIVES



TERMINAL SECTION



STANDARD CONCRETE CURB DETAIL

NOT TO SCALE

SHEET
02525-2

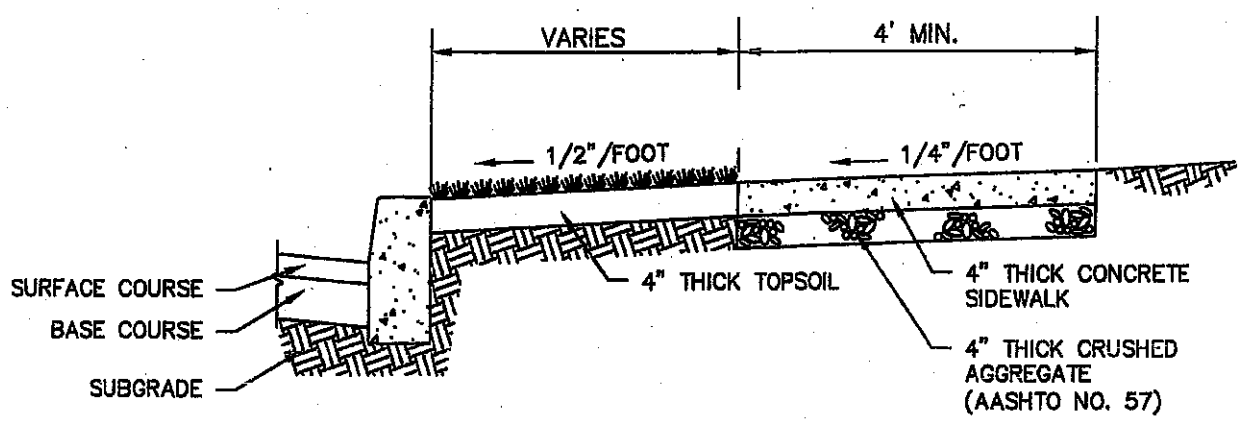
DRAWN BY SMD	CHECK BY SAS
CADD FILE No. 173-389 DT-7	
DATE 6-13-08	JOB No. 173-389
SCALE AS NOTED	

SPRINGETTSBURY TOWNSHIP
**CONSTRUCTION & MATERIAL
SPECIFICATIONS**
SPRINGETTSBURY TOWNSHIP YORK COUNTY, PENNSYLVANIA
STANDARD CONCRETE CURB DETAIL

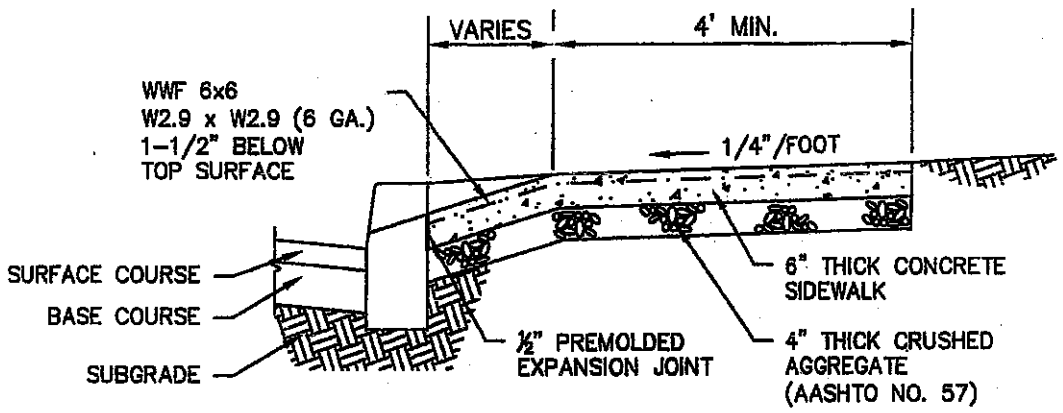
FIRST CAPITAL ENGINEERING
48 South Highland Avenue
York, PA 17404
Phone (717) 842-7040
Fax (717) 828-7222
Gettysburg, PA 17325
Phone (717) 837-0277
www.FCEP.com

★ CIVIL ENGINEERS ★ MUNICIPAL ENGINEERS ★ ENVIRONMENTAL SCIENTISTS ★
★ LANDSCAPE ARCHITECTS ★ PLANNERS ★ SURVEYORS ★

Copyright 2008 First Capital Engineering Inc. E:\Jobs\173-389\173-389 DT-6.dwg Layout: 173-389 DT-6 Plotting By: chrisg, on Thu Jul 15, 2008 at 11:32am



TYPICAL SECTION THROUGH
CONCRETE CURB & SIDEWALK



TYPICAL SECTION THROUGH
CONCRETE CURB & SIDEWALK
AT DRIVEWAY DEPRESSION



CONCRETE SIDEWALK DETAIL

NOT TO SCALE

SHEET
02525-1

DRAWN BY: SMG	CHECK BY: SAS
CADD FILE No. 173-389 DT-6	
DATE: 5-13-08	JOB No.: 173-389
SCALE: AS NOTED	

SPRINGETTSBURY TOWNSHIP
CONSTRUCTION & MATERIAL
SPECIFICATIONS
 SPRINGETTSBURY TOWNSHIP YORK COUNTY, PENNSYLVANIA
CONCRETE SIDEWALK DETAIL

FIRST CAPITAL ENGINEERING
 48 South Highland Avenue Gettysburg, PA 17304
 York, PA 17404 Phone (717) 644-7414
 Fax (717) 644-7414 www.FCE.com

★ CIVIL ENGINEERS ★ MUNICIPAL ENGINEERS ★ ENVIRONMENTAL SCIENTISTS ★
 ★ LANDSCAPE ARCHITECTS ★ PLANNERS ★ SURVEYORS ★